



HIL⁺ Filter Housing

- industrial liquid
- PLUS series

- Industrial single element liquid housing
- Available in 3 different housing classes: ATEX, CE and High Pressure
- Industrial and industrial-electropolished surface finishes available
- Suitable for cartridge types DOE or 222
- Fabricated 'C' style version available (Not Cast Head)



Specification

Materials of Construction

- Housing: 316L Stainless Steel (Cast Head)
- Seals: EPDM FDA, PTFE FDA, Silicone FDA, Viton FDA

Surface Finish

Two Finished Available:

- Industrial Finish
 - Head-Cast, Pickled & Passivated
 - Bowl Internal: As Welded
 - Bowl External: Polished 0.8 µm Ra
- Industrial Electropolished Finish
 - Head-Cast, Pickled & Passivated
 - Bowl Internal: Electropolished
 - Bowl External: Polished 0.8 µm Ra

Welding

All assembly welds are full penetration. All welds are crevice and undercut free. Weld finish & detail drawings available upon request.

Design Code

Housings designed in accordance with the European Council Pressure Equipment Directive (PED) 97/23/EC and the UK statutory Pressure Equipment Regulations (PER) 1999 N° 2001.

Design Basis

ASME VIII Division 1.
ATEX 94/9/EC (where applicable)

ATEX Working Condition PED 97/23/EC			Maximum Pressure			
Fluid Group	State	Temperature	011	012	013	014
Non Dangerous	Gas / Vapour	135 °C (275 °F)	10.00 barg (145.03 psig)	10.00 barg (145.03 psig)	10.00 barg (145.03 psig)	10.00 barg (145.03 psig)
Dangerous	Gas / Vapour	135 °C (275 °F)	5.00 barg (72.51 psig)	5.00 barg (72.51 psig)	5.00 barg (72.51 psig)	5.00 barg (72.51 psig)
Non Dangerous	Liquid	135 °C (275 °F)	10.00 barg (145.03 psig)	10.00 barg (145.03 psig)	10.00 barg (145.03 psig)	10.00 barg (145.03 psig)
Dangerous	Liquid	135 °C (275 °F)	5.00 barg (72.51 psig)	5.00 barg (72.51 psig)	5.00 barg (72.51 psig)	5.00 barg (72.51 psig)
PED Conformity Assessment Category			SEP	CAT I	CAT I	CAT I
Volume (liters)			3.2	5.1	7.0	8.9

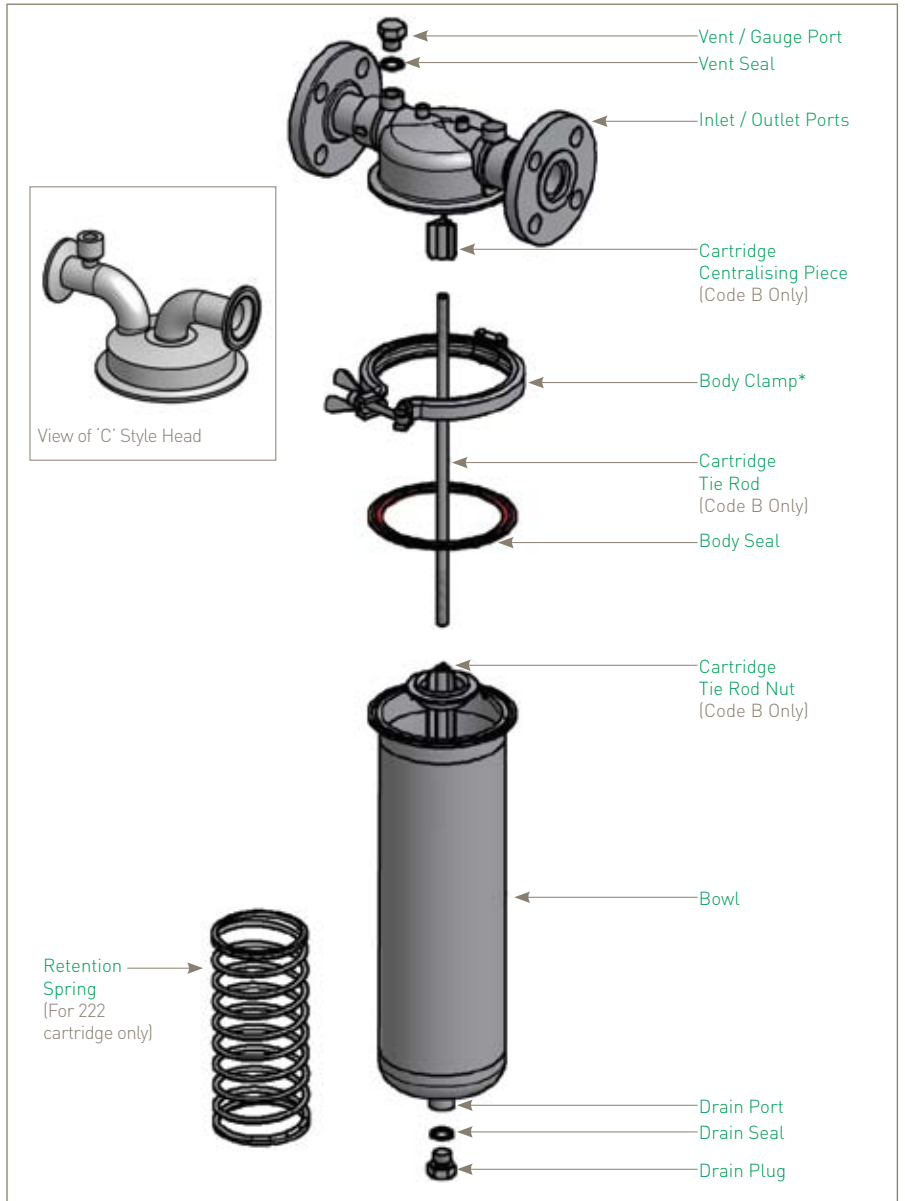
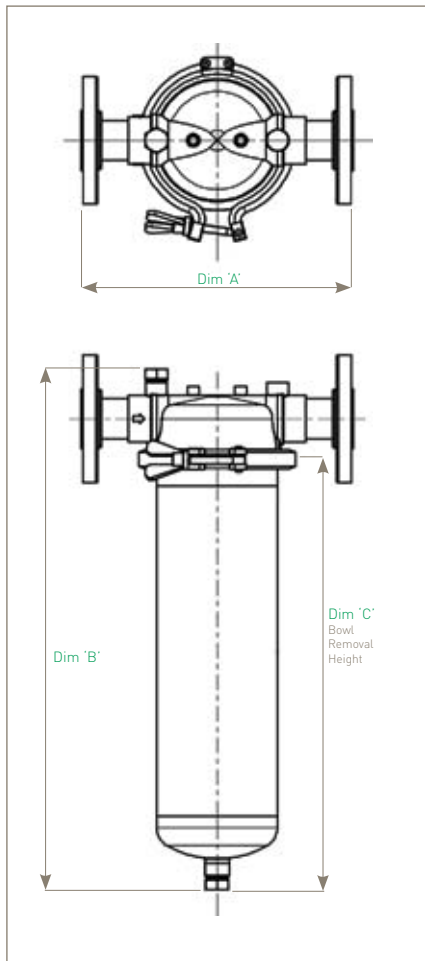
CE Working Condition PED 97/23/EC			Maximum Pressure			
Fluid Group	State	Temperature	011	012	013	014
Non Dangerous	Gas / Vapour	150 °C (302 °F)	10.00 barg (145.03 psig)	10.00 barg (145.03 psig)	10.00 barg (145.03 psig)	10.00 barg (145.03 psig)
Dangerous	Gas / Vapour	150 °C (302 °F)	5.00 barg (72.51 psig)	5.00 barg (72.51 psig)	5.00 barg (72.51 psig)	5.00 barg (72.51 psig)
Non Dangerous	Liquid	150 °C (302 °F)	10.00 barg (145.03 psig)	10.00 barg (145.03 psig)	10.00 barg (145.03 psig)	10.00 barg (145.03 psig)
Dangerous	Liquid	150 °C (302 °F)	5.00 barg (72.51 psig)	5.00 barg (72.51 psig)	5.00 barg (72.51 psig)	5.00 barg (72.51 psig)
PED Conformity Assessment Category			SEP	CAT I	CAT I	CAT I
Volume (liters)			3.2	5.1	7.0	8.9

High Pressure Working Condition PED 97/23/EC			Maximum Pressure			
Fluid Group	State	Temperature	011	012	013	014
Non Dangerous	Gas / Vapour	205 °C (401 °F)	16.00 barg (232.06 psig)	16.00 barg (232.06 psig)	16.00 barg (232.06 psig)	16.00 barg (232.06 psig)
Non Dangerous	Liquid	205 °C (401 °F)	16.00 barg (232.06 psig)	16.00 barg (232.06 psig)	16.00 barg (232.06 psig)	16.00 barg (232.06 psig)
PED Conformity Assessment Category			CAT I	CAT I	CAT I	CAT I
Volume (liters)			3.2	5.1	7.0	8.9

Physical Characteristics

Bowl Height	Dimensions (mm)	Dimensions (mm)			Typical Weight (Kg)		
		'A'	'B'	'C'	Bowl	Head	Total
10" (250 mm)	230 441 297	1.5	5.4	7.8			
20" (500 mm)	230 691 550	2.5	5.4	8.9			
30" (750 mm)	230 936 814	3.5	5.4	10.0			
40" (1000 mm)	230 1186 1058	4.5	5.4	11.1			

Dimensions shown are for a vessel with 1" BS4504 DIN 2633 ports, 1/4" BSPP vent and drain. For other formats, please contact Parker domnick hunter.



*Double bolted clamp required for HP and PTFE seal options

Ordering Information

HIL **01** - - - - - - - - -

Code Vessel Class	Code Length (Nominal)	Code Connection Size	Code Standard	Code Cartridge	Code Seal	Code Vent	Code Drain
AT ATEX	1 10" (250 mm)	B 1" (25.4 mm)	B* BSPP (F)	B DOE	E EPDM	B 1/4" BSPP	B 1/4" BSPP
CE Standard	2 20" (500 mm)	Y 1/2" (38.1 mm)	F ANSI RF150 ⁽¹⁾	C 226 (Fabricated Head)	P* PTFE	N 1/4" NPT	N 1/4" NPT
HP High Pressure	3 30" (750 mm)		H ANSI RF 300	D 222	S Silicone	X° No Vent	
	4 40" (1000 mm)		L BS4504 DIN2633 NPT (F)		V Viton		

*Only available in 1" connection
(1) Not suited for High Pressure Vessels. HP Vessels to use ANSI RF 300.
° Only available with 'C' Style cartridge configuration

Code Surface Finish	Internal	External
E Industrial Electropolished	Electropolished	0.8 µm
I Industrial	As Welded	0.8 µm

Code Tagged	Yes	No
T	Yes	No
X	No	Yes

For Tagged Options customer identification numbers required at time of ordering

FLOW TECH CORPORATION
 (Toll Free) 877.375.1290
 7601 Stadium Drive Kalamazoo, MI 49009
www.flowtechfilters.com