



HBA Filter Housing

- industrial air / gas
- STANDARD series

- Flow efficient range of air and gas housings
- Designed to maximize flow and minimize pressure drop
- Designed specifically for the food and beverage industry



Specification

Materials of Construction

- Housing: 316L Stainless Steel
- Seals: Silicone FDA
- Vent / Drain Seals: PTFE

Surface Finish

- Internal: As Welded
 - External: Polished 0.8 µm Ra
- All finishes pickled & passivated.*

Welding

All assembly welds are full penetration.
All welds are crevice and undercut free.
Weld finish & detail drawings available upon request.

Certification

Supplied as standard with vessel inspection certificate.

Material Test Certification

EN10204 3.1 supplied upon request.

Design Code

Housings designed in accordance with the European Council Pressure Equipment Directive (PED) 97/23/EC and the UK statutory Pressure Equipment Regulations (PER) 1999 N° 2001.

PED / PER conformity assessments based on Fluid Group 2 Gas (harmless) including steam. Only housings over PS.V 50 bar / litres bear the CE mark.

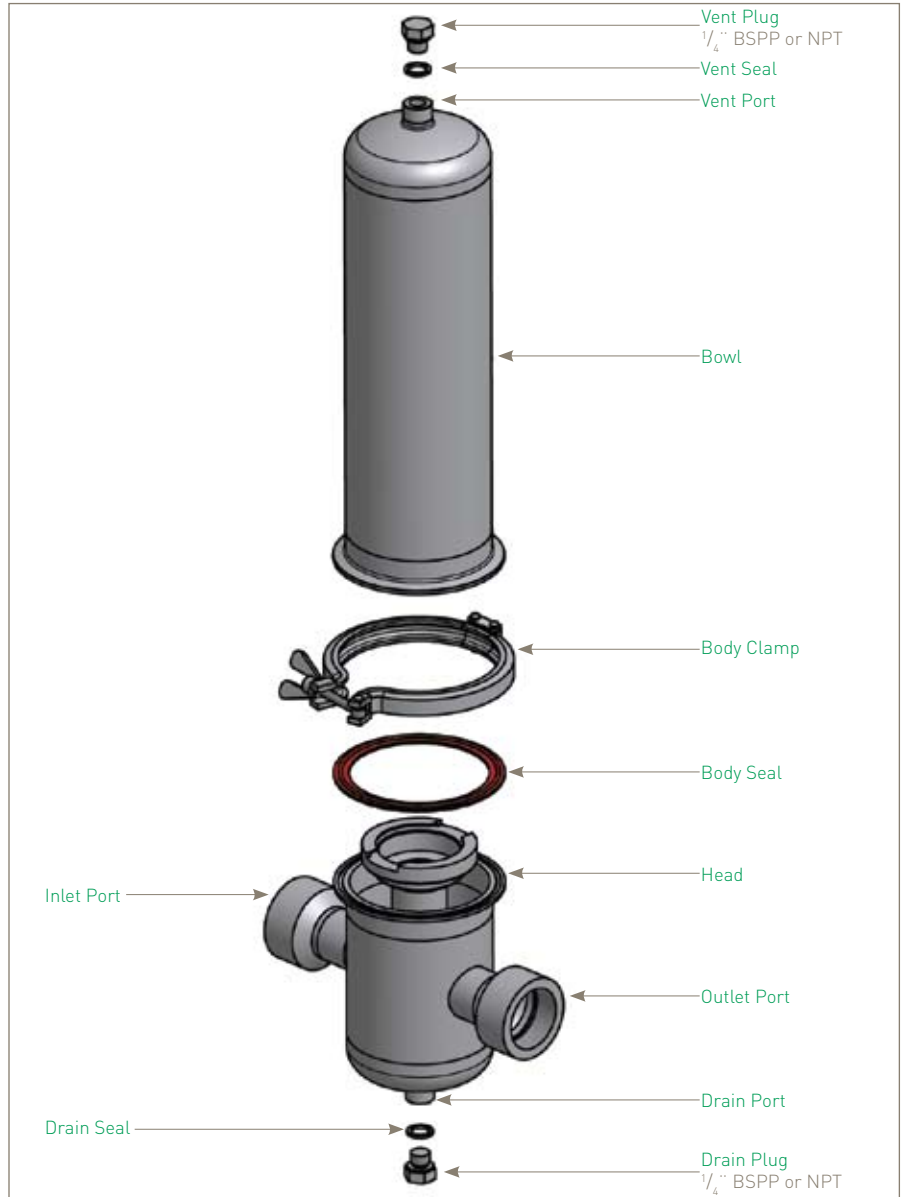
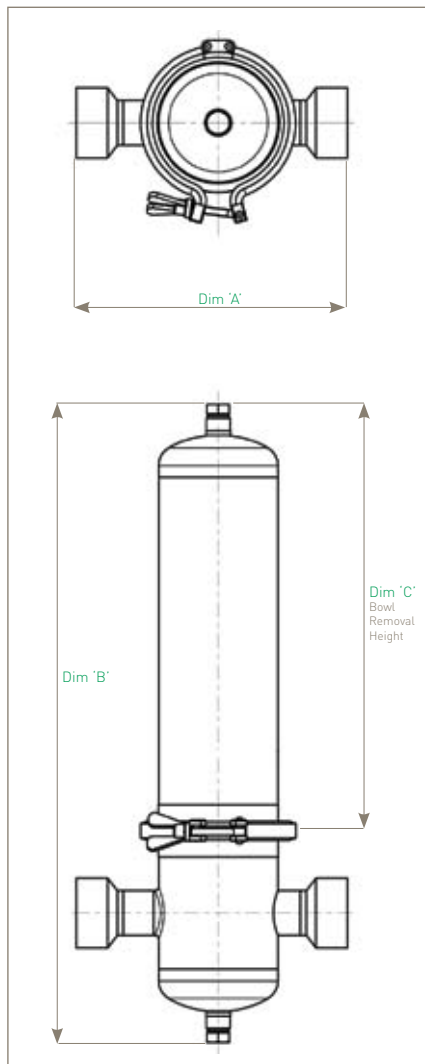
Design Basis

ASME VIII Division 1.

Working Condition PED 97/23/EC			Maximum Pressure		
Fluid Group	State	Temperature	01K	011	012
Non Dangerous	Gas / Vapour	150 °C (302 °F)	10.00 barg (145.03 psig)	10.00 barg (145.03 psig)	10.00 barg (145.03 psig)
Dangerous	Gas / Vapour	150 °C (302 °F)	8.00 barg (116.03 psig)	8.00 barg (116.03 psig)	8.00 barg (116.03 psig)
PED Conformity Assessment Category			SEP	SEP	CAT I
Volume (liters)			2.5	3.7	5.6

Physical Characteristics

Bowl Height	Dimensions (mm)			Weight (Kg)		
	'A'	'B'	'C'	Bowl	Head	Total
5" (125 mm)	231	396	223	0.9	1.9	3.6
10" (250 mm)	231	546	342	1.5	1.9	4.1
20" (500 mm)	231	796	590	2.5	1.9	5.2



Ordering Information

HBA

01

-

-

Code Vessel Class	Code Length (Nominal)	Code Connection Size	Code Standard	Code Cartridge	Code Seal
CE Standard	K 5" (125 mm) 1 10" (250 mm) 2 20" (500 mm)	Y 1 1/2" (38.1 mm)	B BSPP N NPT	C 226	S Silicone

Note: For accessories, i.e. gauges, please contact Parker domnick hunter - Process Division for full availability.

FLOW TECH CORPORATION

(Toll Free) **877.375.1290**

7601 Stadium Drive Kalamazoo, MI 49009

www.flowtechfilters.com