



Fulflo® P Filter Vessel

High Efficiency and High Flow Rate with Fulflo® P Vessel Series

Fulflo® P Series Multi-Cartridge Filter Vessels are designed for high flow rate where the contaminants can be effectively removed by pleated paper (surface type) media.

The P Vessel Series is designed for use with the Fulflo® Flo-Pac® 718 and 736 pleated filter cartridge series. TruBind® 700 Series absorbent cartridges also fit these vessels.



Benefits

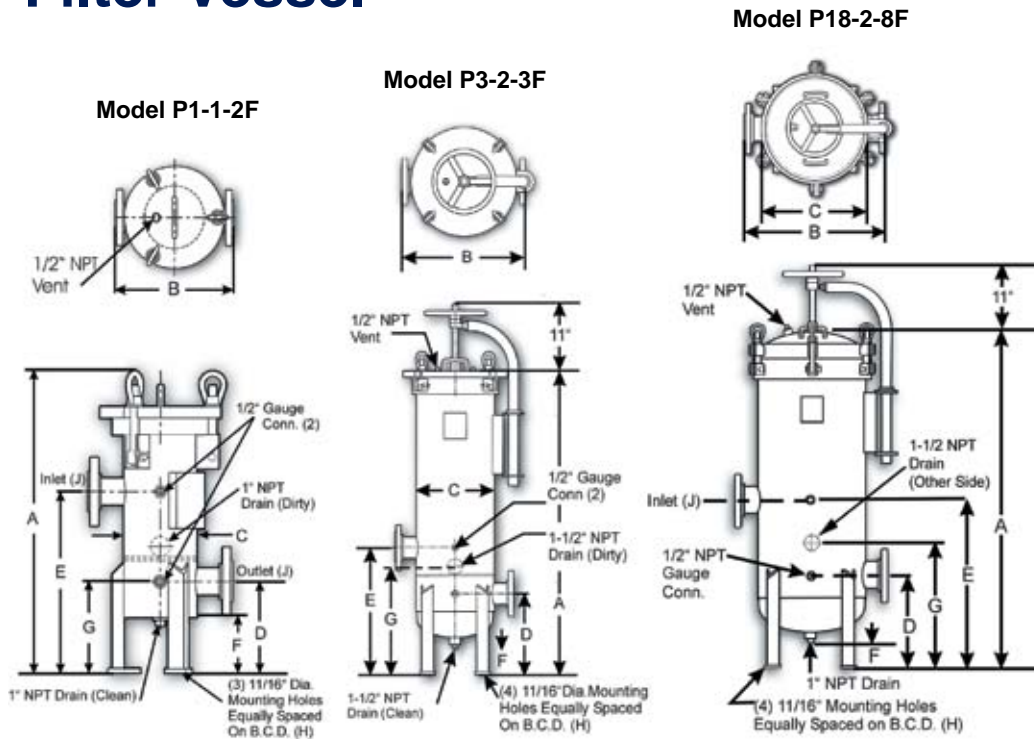
- Designed and fabricated in accordance with the ASME Boiler and Pressure Vessel Code, U or UM stamp with 150 psi (10.3 bar) rating at 250°F (121°C)
- Non-code design and construction (parallel to code standards) available
- Mechanical coverlifts
- Designed for minimum pressure drop
- Cartridge capacity from 1 to 18 cartridges

- All P models feature swing bolts for easier cleaning and servicing
- O-ring seals provide positive closure sealing
- Standard Buna-N seal with optional Viton* elastomer, neoprene, ethylene propylene rubber and fluoropolymer elastomer O-rings
- Optional hydraulic coverlifts

Applications

- Fuels
- Lubricating Oils
- Solvents
- Coolants
- Refineries
- Hydraulic Oils
- Rolling Mill Oils
- Processing Liquids

Fulflo® P Filter Vessel



Reference Dimensions

Model	Number & Length of Cartridges (in)	Maximum flow (GPM)	Dimensions (in)										Shipping Weight (lbs)
			A	B	C	D	E	F	G	H	J		
P1-1-2F	1 (18)	50	36.13	14.88	8.63	8.19	16.19	5.06	11.31	7.81	2	180	
P1-2-2F	1 (36)	100	54.13	14.88	8.63	8.19	16.19	5.06	11.31	7.81	2	200	
P3-1-3F	3 (18)	150	38.74	22.50	15.06	13.38	21.00	5.00	17.88	14.75	3	405	
P3-2-3F	3 (36)	300	57.31	22.50	15.06	13.38	21.00	5.00	17.88	14.75	3	465	
P6-2-6F	6 (36)	600	65.00	29.25	20.06	16.50	31.00	5.00	22.56	19.75	6	790	
P9-2-6F	6 (36)	900	67.19	33.38	24.06	18.00	31.00	6.00	24.19	23.75	6	985	
P18-2-8F	18 (36)	1800	76.06	42.25	32.06	23.63	41.25	6.00	31.69	31.81	8	1570	

Actual flow rate is dependent on fluid viscosity, micron rating, contaminant and media type. Consult flow charts for each application. Shipping weights and dimensions are for 150 psig nominal design only.

+Add 5" to this dimension for hydraulic coverlift

Ordering Information

