



Fulflo® SF Filter Vessels

High Flow Rates With Fulflo® SF ASME Code Vessels

Fulflo® SF Multi-Cartridge Filter Vessels meet a broad range of liquid and gas applications. All details of design, materials, construction and workmanship of the SF vessel series conform to ASME code.

The SF Vessel Series accommodates double-open-end (DOE) and single-open-end (SOE) cartridges in 10 in, 20 in, 30 in and 40 in equivalents.

Benefits

- Designed and fabricated in accordance with the ASME Boiler and Pressure Vessel Code, U or UM stamp
- Non-code design and construction (parallel to code standards) available
- Mechanical coverlifts of carbon steel construction standard on models SF12 and SF19.
- Designed for minimum pressure drop
- External welded attachments on stainless steel models are also stainless steel
- Dual purpose cartridge seats for use with double open end and 2-222 O-ring single open end cartridges



- All SF models feature swing bolts with eyenuts for easier cleaning and servicing
- O-ring seals provide positive closure
- Standard Buna-N O-rings with optional Viton* elastomer, neoprene, ethylene propylene rubber and fluoropolymer elastomer O-rings are also available for temperatures up to 500°F (260°C)
- Hydraulic coverlifts optional on SF12 and SF19 models

Applications

- Water
- Concentrated Alkalies
- Dilute Acids & Alkalies
- Mineral Acids
- Organic Acids
- Oxidizing Agents
- Solvents
- Petroleum Oils
- Potable Liquids
- Photo Solutions

Fulflo® SF Filter Vessels

Design Specifications

No. & Model	Max. Length of Cart. (in)	Dimensions Flow (gpm)	Shipping Weight (lbs)	A†	B	C	D	E	F	G	H	J
SF3-1-2F	(3) 10	15	26.69	12.69	6.63 OD	8.19	16.19	5.00	11.31	5.81	2	125
SF6-1-2F	(6) 10	30	26.94	14.88	8.63 OD	8.19	16.19	5.06	11.31	7.81	2	180
SF6-2-2F	(6) 20	60	37.00	14.88	8.63 OD	8.19	16.19	5.06	11.31	7.81	2	185
SF6-3-2F	(6) 30	90	47.06	14.88	8.63 OD	8.19	16.19	5.06	11.31	7.81	2	200
SF6-4-3F	(6) 40	120	58.50	14.88	8.63 OD	8.19	16.19	5.06	12.00	7.81	3	220
SF12-3-3F	(12) 30	180	53.75	20.50	12.06 ID	13.38	21.00	5.00	17.88	11.68	3	310
SF12-3-4F	(12) 30	180	53.75	20.50	12.06 ID	13.38	21.00	5.00	17.88	11.68	4	315
SF12-4-4F	(12) 40	240	60.31	20.50	12.06 ID	13.38	21.00	5.00	17.88	11.68	4	330
SF19-3-4F	(19) 30	285	50.19	23.50	15.06 ID	13.38	21.00	5.00	17.88	14.75	4	420
SF19-4-4F	(19) 40	380	60.31	23.50	15.06 ID	13.38	21.00	5.00	17.88	14.75	4	440

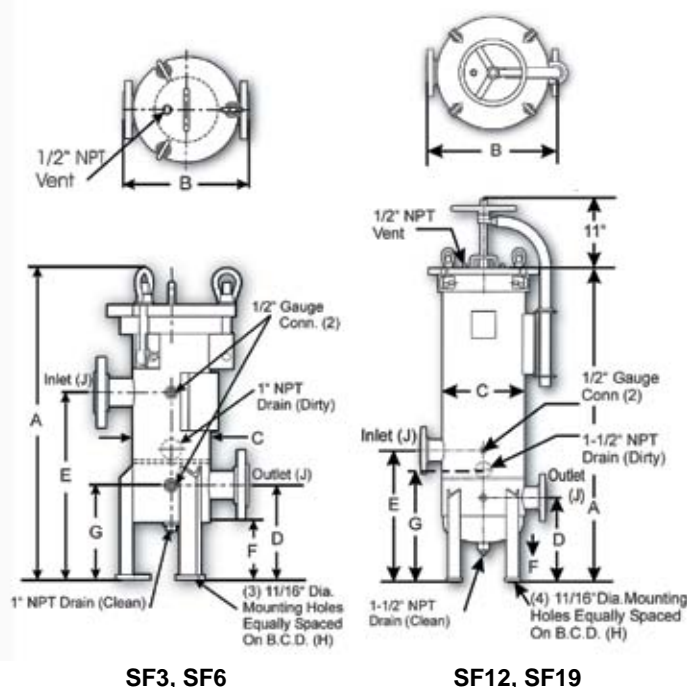
† Add 5 in to this dimension for hydraulic coverlift.

†† Inlet and outlet size standard ASA flanges.

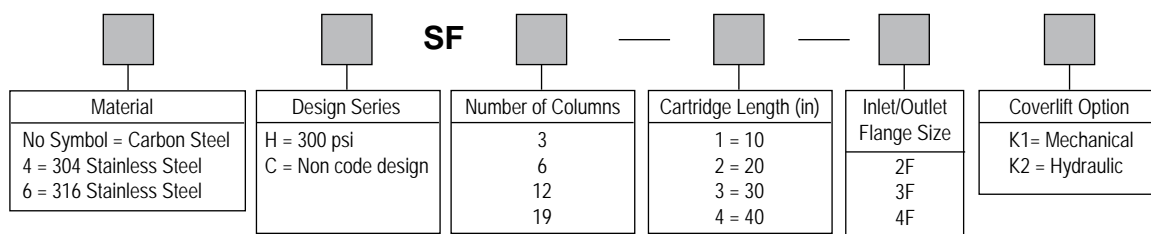
Maximum Operating Conditions

Material of Construction	Maximum Operating Pressure (psi at 250°F)†	Maximum Design Temperature
Carbon Steel	150 psi (10.3 bar)	500°F (260°C)
Carbon Steel	300 psi (20.7 bar)	500°F (260°C)
304 Stainless Steel	150 psi (10.3 bar)	300°F (150°C)
304 Stainless Steel	300 psi (20.7 bar)	300°F (150°C)
316 Stainless Steel	150 psi (10.3 bar)	400°F (204°C)
316 Stainless Steel	300 psi (20.7 bar)	400°F (204°C)

† Operating temperature limited by standard gasket material and exterior paint.



Ordering Information



FLOW TECH CORPORATION

(Toll Free) 877.375.1290
7601 Stadium Drive Kalamazoo, MI 49009
www.flowtechfilters.com